



Producer: **Copeland**

Line: **ZB**

Model: **ZB30KCE-TFD**

Cooling capacity [kW]: **6.37**

Displacement [m<sup>3</sup>/h]: **11.7**

Refrigerant: **R22, R134a, R404A, R407A, R407C, R407F, R448A, R449A, R450A, R513A**

Capacity control: **None**

Power supply: **400V/3Ph/50Hz**

## Data

### Technical data

|                      |                     |               |
|----------------------|---------------------|---------------|
| Displacement         | [m <sup>3</sup> /h] | 11.7          |
| Oil charge           | [l]                 | 1.90          |
| Oil type             |                     | POE RL32-3MAF |
| Internal free volume | [dm <sup>3</sup> ]  | 4.3           |
| Net weight           | [kg]                | 35.40         |

### Electrical data and limits

|                             |       |               |
|-----------------------------|-------|---------------|
| Power supply                |       | 400V/3Ph/50Hz |
| Maximum continuous current  | [A]   | 10.3          |
| Locked rotor amperage       | [A]   | 49.3          |
| Motor resistance main       | [Ω]   | 3.70          |
| Maximum suction pressure    | [bar] | 21.0          |
| Maximum discharge pressure  | [bar] | 32.0          |
| Maximum suction temperature | [°C]  | 50.0          |
| Minimum suction temperature | [°C]  | -35.0         |

### Dimensions

|                                      |        |       |
|--------------------------------------|--------|-------|
| Suction connection thread diameter   | [inch] | 1 1/4 |
| Discharge connection thread diameter | [inch] | 1     |
| Length                               | [mm]   | 242   |
| Height                               | [mm]   | 438   |
| Width                                | [mm]   | 242   |

### Other

|                       |  |
|-----------------------|--|
| Approved refrigerants | R22, R134a, R404A, R407A, R407C, R407F, R448A, R449A, R450A, R513A |
| Allowed oil types     | POE RL32-3MAF, POE MOBIL EAL Arctic 22 CC                          |
| Capacity control      | None   |
| Protection rating     | IP21 (IEC34)   |

## Performance

Nominal conditions: refrigerant: R404A, evaporation: -10°C (dew point), condensation: 45°C (dew point), superheating: 10K, subcooling: 0°C

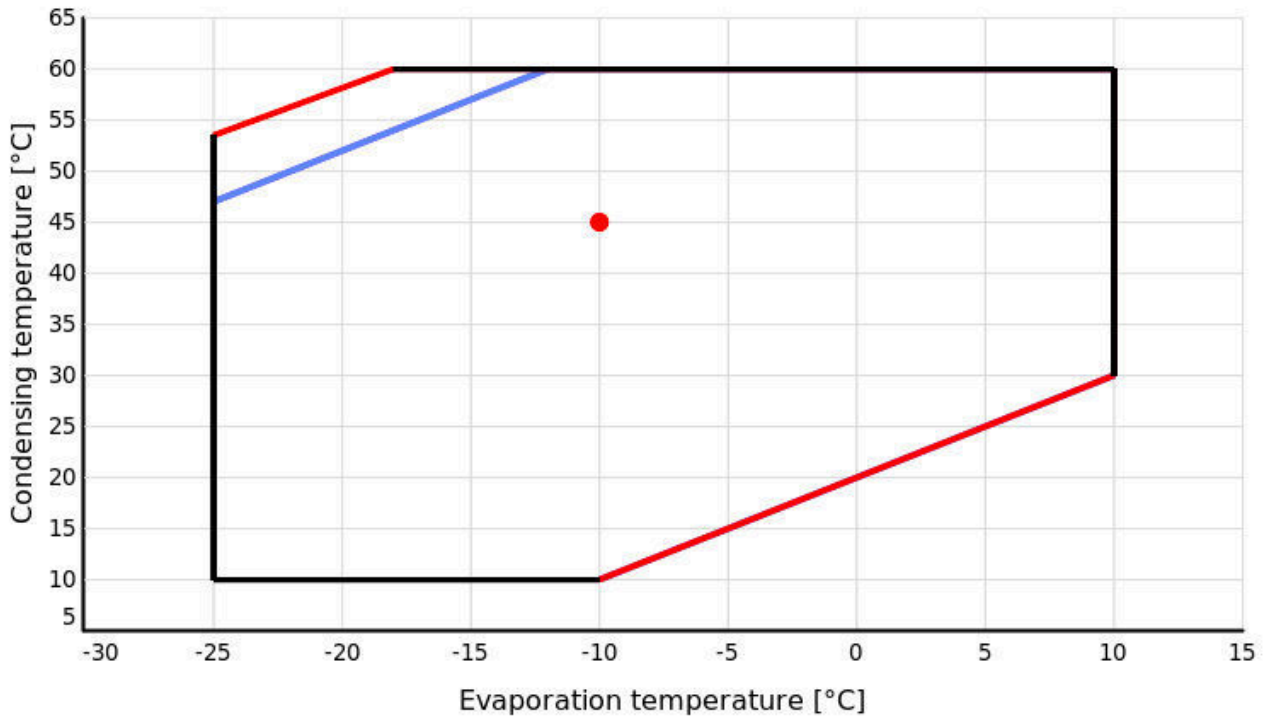
### Cooling capacity

|                               |    | Evaporation temperature [°C] |      |      |             |       |       |       |       |       |
|-------------------------------|----|------------------------------|------|------|-------------|-------|-------|-------|-------|-------|
|                               |    | -25                          | -20  | -15  | -10         | -5    | 0     | 5     | 7     | 10    |
| Condensation temperature [°C] | 10 | 5.71                         | 7.10 | 8.73 | 10.64       |       |       |       |       |       |
|                               | 15 | 5.40                         | 6.72 | 8.28 | 10.10       | 12.19 |       |       |       |       |
|                               | 20 | 5.07                         | 6.33 | 7.81 | 9.53        | 11.53 | 13.81 |       |       |       |
|                               | 25 | 4.73                         | 5.91 | 7.31 | 8.95        | 10.84 | 13.02 | 15.49 |       |       |
|                               | 30 | 4.37                         | 5.48 | 6.79 | 8.34        | 10.13 | 12.19 | 14.55 | 15.57 | 17.20 |
|                               | 35 | 3.99                         | 5.03 | 6.26 | 7.70        | 9.39  | 11.34 | 13.58 | 14.56 | 16.12 |
|                               | 40 | 3.60                         | 4.56 | 5.70 | 7.05        | 8.63  | 10.47 | 12.59 | 13.52 | 15.00 |
|                               | 45 | 3.19                         | 4.07 | 5.12 | <b>6.37</b> | 7.84  | 9.57  | 11.56 | 12.44 | 13.86 |
|                               | 50 | 2.77                         | 3.57 | 4.53 | 5.67        | 7.03  | 8.64  | 10.51 | 11.34 | 12.69 |
|                               | 55 |                              | 3.05 | 3.91 | 4.95        | 6.20  | 7.68  | 9.43  | 10.22 | 11.48 |
| 60                            |    |                              | 3.28 | 4.21 | 5.34        | 6.70  | 8.33  | 9.06  | 10.25 |       |

### Power consumption

|                               |    | Evaporation temperature [°C] |      |      |             |      |      |      |      |      |
|-------------------------------|----|------------------------------|------|------|-------------|------|------|------|------|------|
|                               |    | -25                          | -20  | -15  | -10         | -5   | 0    | 5    | 7    | 10   |
| Condensation temperature [°C] | 10 | 1.51                         | 1.51 | 1.50 | 1.50        |      |      |      |      |      |
|                               | 15 | 1.69                         | 1.69 | 1.68 | 1.68        | 1.67 |      |      |      |      |
|                               | 20 | 1.90                         | 1.89 | 1.88 | 1.88        | 1.87 | 1.86 |      |      |      |
|                               | 25 | 2.13                         | 2.12 | 2.11 | 2.10        | 2.09 | 2.08 | 2.08 |      |      |
|                               | 30 | 2.39                         | 2.38 | 2.37 | 2.36        | 2.34 | 2.33 | 2.32 | 2.32 | 2.31 |
|                               | 35 | 2.68                         | 2.68 | 2.66 | 2.65        | 2.63 | 2.61 | 2.59 | 2.59 | 2.58 |
|                               | 40 | 3.02                         | 3.01 | 3.00 | 2.98        | 2.95 | 2.93 | 2.91 | 2.90 | 2.89 |
|                               | 45 | 3.39                         | 3.39 | 3.37 | <b>3.35</b> | 3.32 | 3.30 | 3.27 | 3.26 | 3.25 |
|                               | 50 | 3.82                         | 3.81 | 3.79 | 3.77        | 3.74 | 3.71 | 3.68 | 3.67 | 3.65 |
|                               | 55 |                              | 4.28 | 4.27 | 4.24        | 4.21 | 4.17 | 4.14 | 4.12 | 4.10 |
| 60                            |    |                              | 4.79 | 4.76 | 4.73        | 4.69 | 4.65 | 4.63 | 4.61 |      |

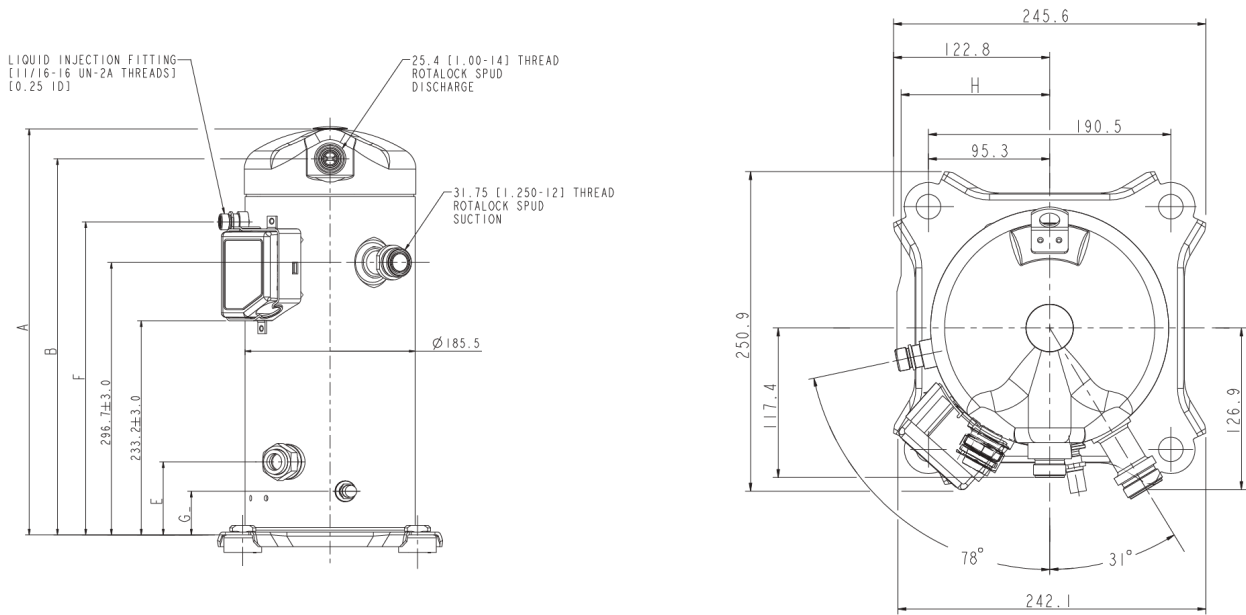
**Application range**



**Legend**

- Suction gas superheating: 10 K
- Suction gas temperature: 25°C
- Suction gas temperature: 20°C, ASERCOM certified

## Dimensions



## Dimensions

|             |      |       |
|-------------|------|-------|
| Dimension A | [mm] | 437,7 |
| Dimension B | [mm] | 409,6 |
| Dimension E | [mm] | 79,5  |
| Dimension G | [mm] | 47,5  |